

Data sheet - series FAE



PRODUCT SPECIFICATION

SK H2O protec cap seal waterstop type FAE is a permanently flexible profile made of elastomer, EPDM, providing protection against dirt and maintaining the function of expansion joints in waterproof concrete structures with large movements and high water pressures.

Characteristics / Advantages

- high tensile strength and elongation at break
- high permanent flexibility and high-load bearing capacity
- suitable for water pressure and large settlements
- resistant to all natural media acting aggressively to concrete
- resistant to a wide range of chemical substances (tests required for each additional specific situation)
- resistant to bitumen
- supply of systems for easy handling on site
- vulcanizable by using butt joints on site

Application

- joint sealing in concrete constructions
- expansion joint sealing systems for in-situ concrete

Typical structures

- underground car parks, bridges, trough and bridge structures
- rail tunnels and road tunnels
- water construction plants

Data sheet - series FAE



Standard / Directives

- DIN 18197
- DIN 7865, part 2
- WU-Directives DAfStb
- ZTV-ING, Riz-Ing
- Vulcanizing instructions

Test certificate / Approvals

- latest manufacturer's certificate
- certificate of conformity - DIN 7865
- external monitoring by MPA NRW
- internal monitoring

PRODUCT DATA

Material

- EPDM elastomer (ethylene-propylene-diene monomer)

Colour

- black with grey visible surface

Packaging

- supplied as standard rolls (25 m)

Data sheet - series FAE



MECHANICAL PROPERTIES according to DIN 7865, part 2

Shore A hardness	62 ± 5
-------------------------	------------

Tear strength	$\geq 10 \text{ MPa}$
----------------------	-----------------------

Elongation at break	$\geq 380 \%$
----------------------------	---------------

Compression set	168h / 23°C $\leq 20\%$ 24h / 70°C $\leq 35\%$
------------------------	---

Tear propagation resistance	$\geq 8 \text{ kN/m}$
------------------------------------	-----------------------

Performance after heat ageing	Change in Shore A hardness ≤ 8 Tear strength $\geq 9 \text{ MPa}$ Elongation at break $\geq 300\%$
--------------------------------------	---

Low temperature performance	$\leq 90 \text{ Shore A}$
------------------------------------	---------------------------

Tension set	$\leq 20\%$
--------------------	-------------

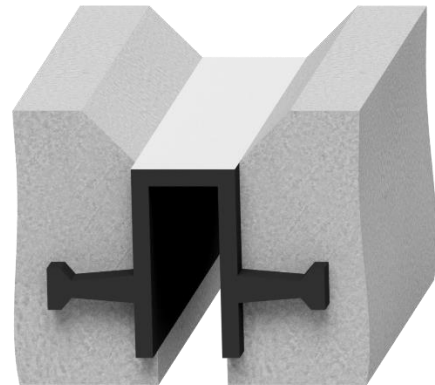
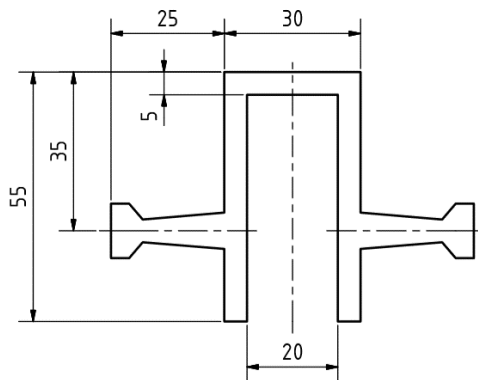
Performance after conditioning in hot bitumen	Residual deformation $< 20\%$ Tear strength $\geq 7 \text{ MPa}$ Elongation at break $\geq 300\%$
--	---

Performance after ozone ageing	No cracks
---------------------------------------	-----------

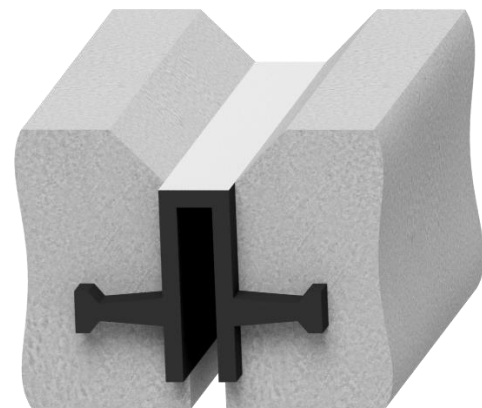
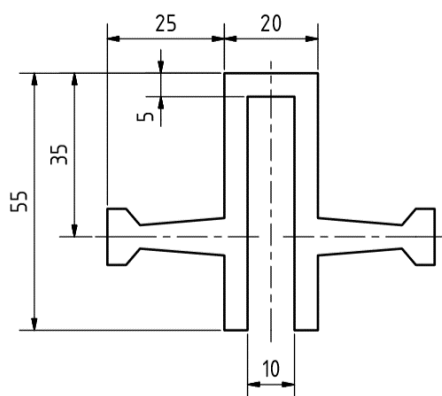
Data sheet - series FAE



FAE 50



FAE 50/2



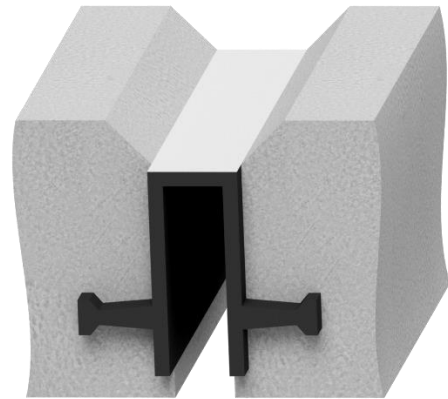
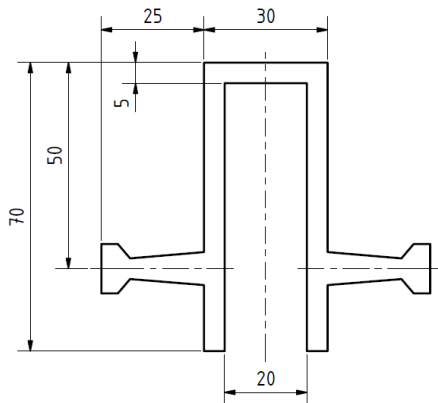
All dimensions in mm

- FAE 50 according to DIN 7865, part 1 and 2
- FAE 50/2 according to DIN 7865, part 2

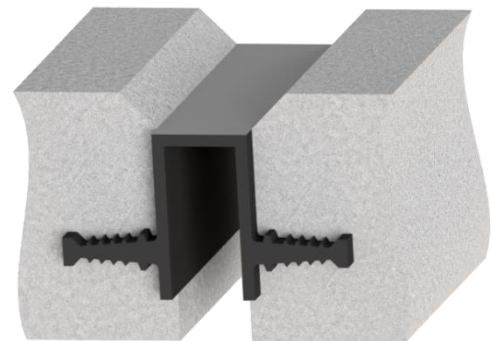
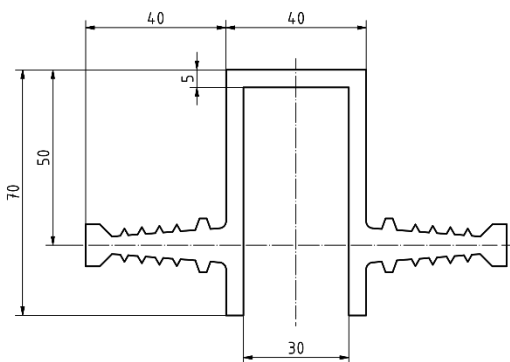
Data sheet - series FAE



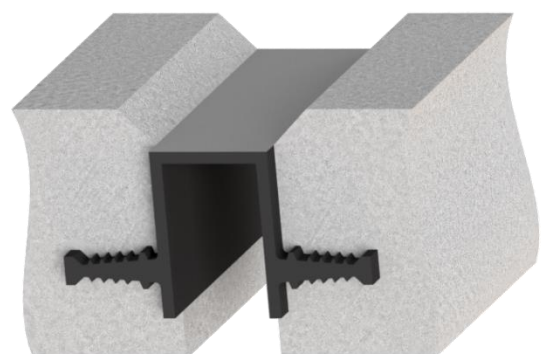
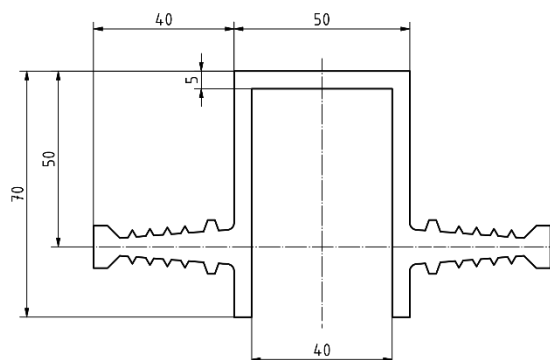
FAE 70



FAE 7/4



FAE 7/5



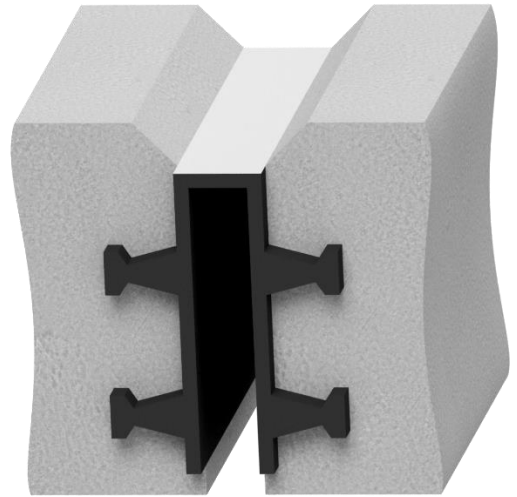
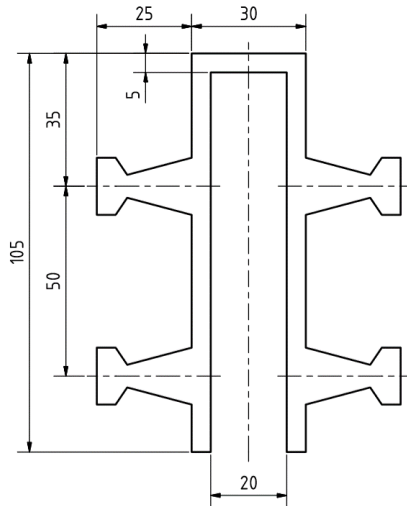
All dimensions in mm

- FAE 70 according to DIN 7865, part 1 and 2
- FAE 7/4 & FAE 7/5 according to DIN 7865, part 2

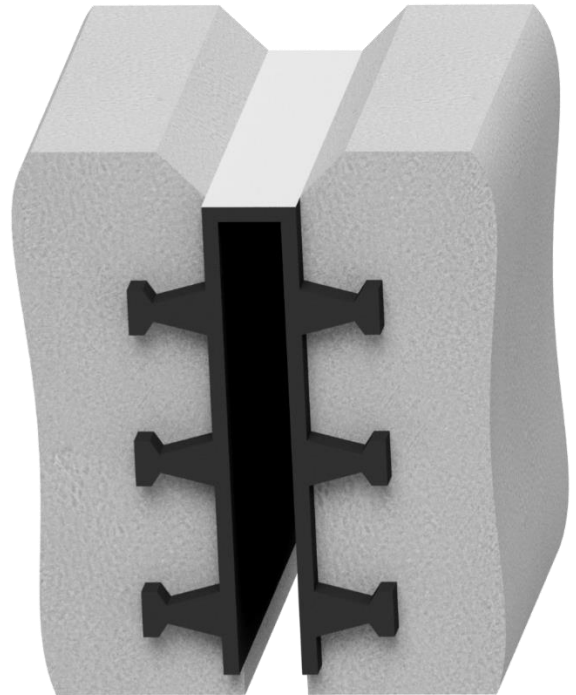
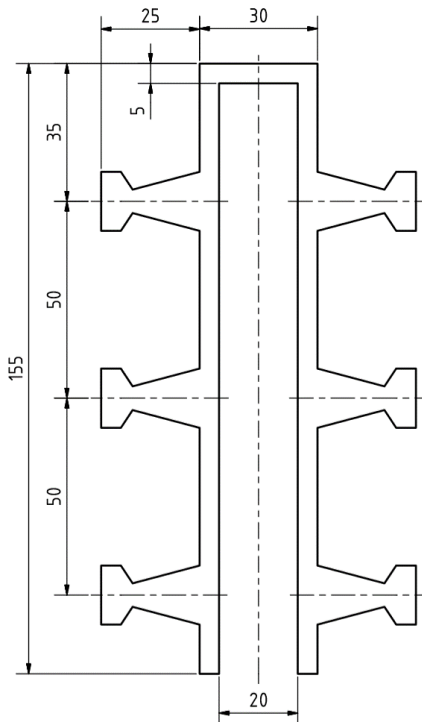
Data sheet - series FAE



FAE 100



FAE 150



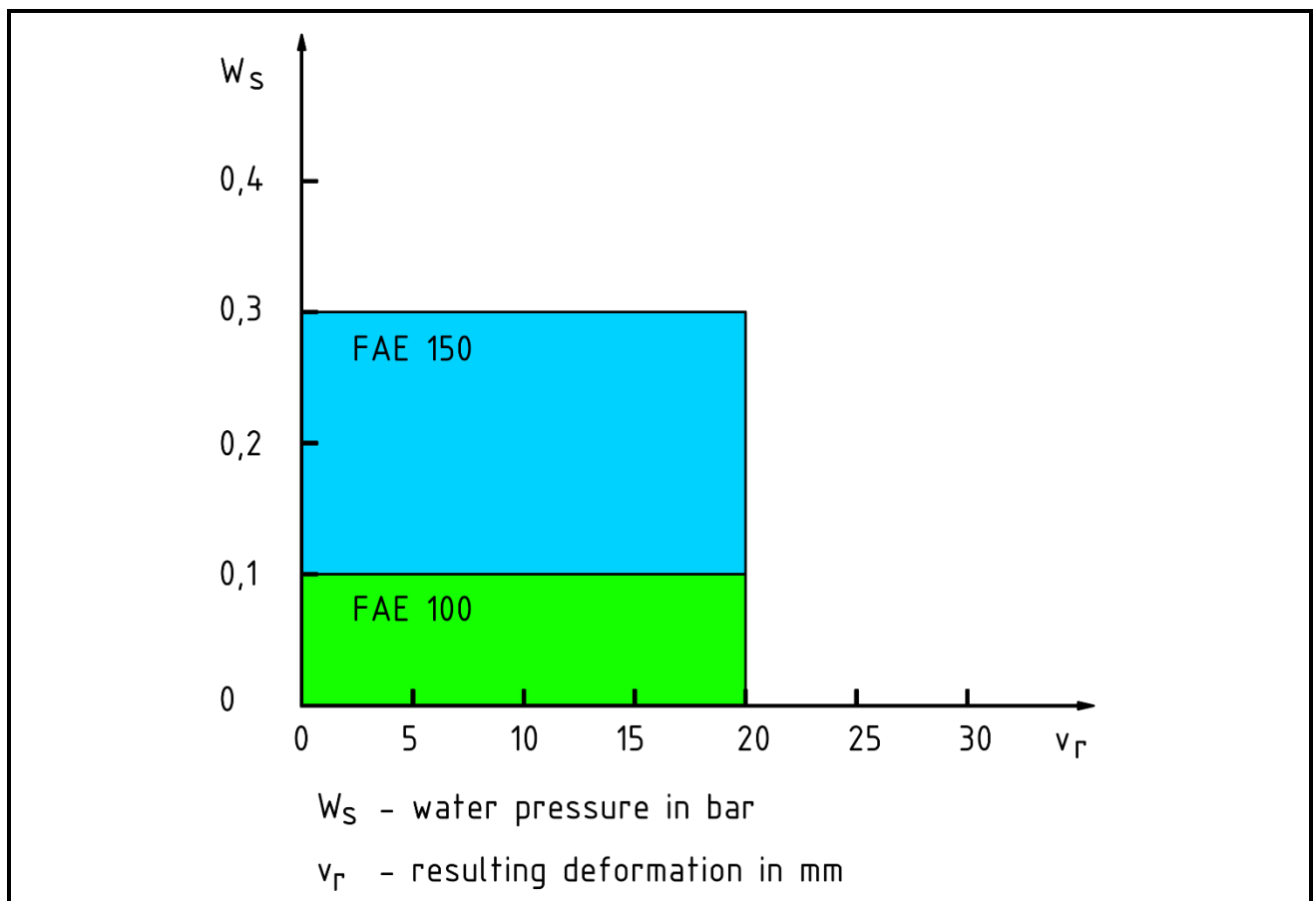
All dimensions in mm

- FAE 100 & FAE 150 according to DIN 7865, part 1 and 2

Data sheet - series FAE



Selection diagram for waterstops acc. to DIN 7865



excerpt from DIN 18197:2018-01