

Data sheet - series FV - WN



PRODUCT SPECIFICATION

SK H2O protec cap seal waterstop series FV according to factory standard is a permanently flexible profile made of thermoplastic polymer, PVC-P, providing protection against dirt and maintaining the function of expansion joints in waterproof concrete structures with large movements and high water pressures.

Characteristics / Advantages

- high tensile strength and elongation at break
- high permanent flexibility and high-load bearing capacity
- suitable for water pressure and settlements
- resistant to all natural media acting aggressively to concrete (if applicable)
- resistant to a wide range of chemical substances (tests required for each additional specific situation)
- standard resistant
- supply of systems for easy handling on site
- weldable by using butt joints on site

Application

- joint sealing in concrete structures
- expansion joint sealing system for in-situ concrete

Typical structures

- commercial buildings, cellars, underground car parks

Data sheet - series FV - WN



Standards / Directives

- general appraisal certificate
- Works standard
- WU- Directives DAfStb
- Welding instructions

Test certificate / Approvals

- general appraisal certificate
- external monitoring by MPA NRW
- internal monitoring

PRODUCT DATA

Material

- PVC-P (Polyvinyl chloride with plasticizer / P: plasticized)

Colour

- grey

Packaging

- supplied as standard rolls (25 m), pre-cuts and systems

Data sheet - series FV - WN



MECHANICAL PROPERTIES according to factory standard

Shore A hardness	72 ± 5
-------------------------	------------

Tensile strength	$\geq 10 \text{ MPa}$
-------------------------	-----------------------

Elongation at break	$\geq 275 \%$
----------------------------	---------------

Tear propagation resistance	$\geq 12 \text{ kN/m}$
------------------------------------	------------------------

Low temperature performance	Elongation at break at $-20^\circ\text{C} \geq 200\%$
------------------------------------	---

Performance after weathering	Tensile strength $\leq 20\%$ Elongation at break $\leq 20\%$ Modulus of elasticity $\leq 50\%$
-------------------------------------	--

valid change of average values relative to the initial value

Performance of the weld at shear test short-term joining factor f_z	break outside of weld $\geq 0,6$
---	----------------------------------

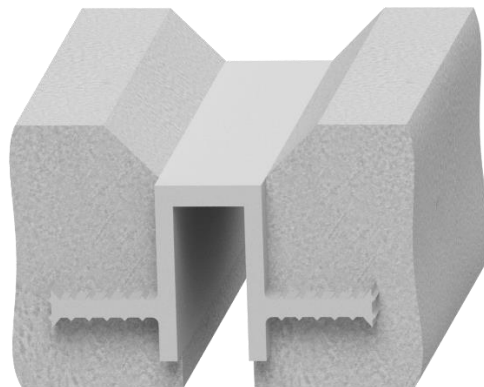
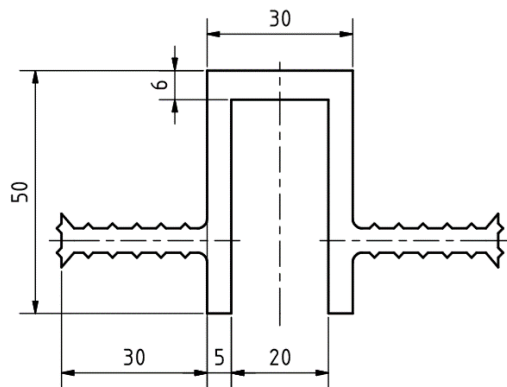
Fire behaviour	class B2
-----------------------	----------

values differing for bitumen compatibility

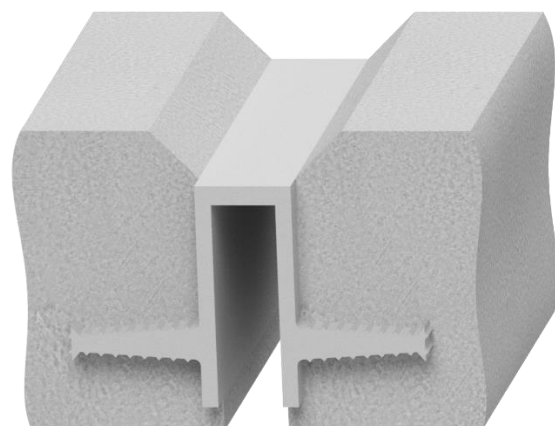
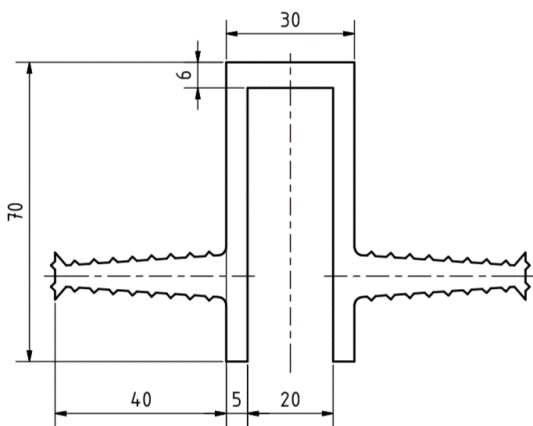
Data sheet - series FV - WN



FV 50/30/30



FV 70/30/40

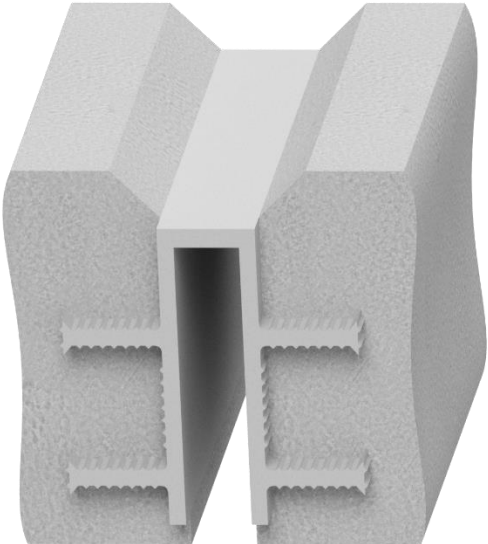
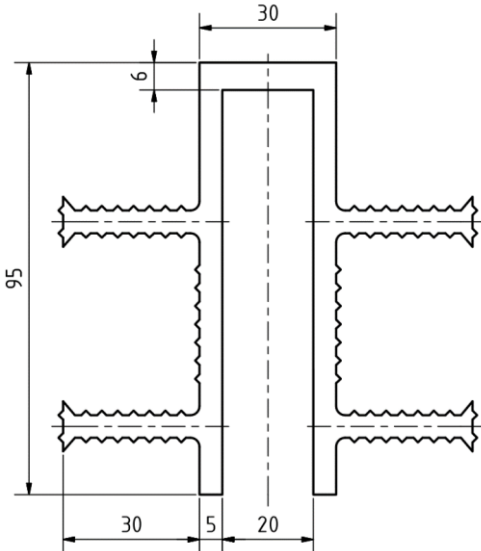


All dimensions in mm

Data sheet - series FV - WN



FV 90/30/30

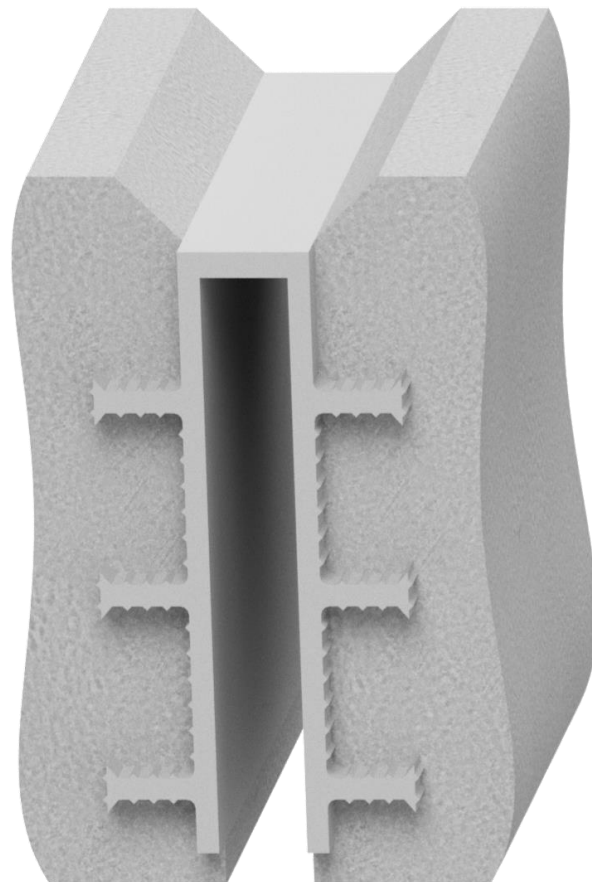
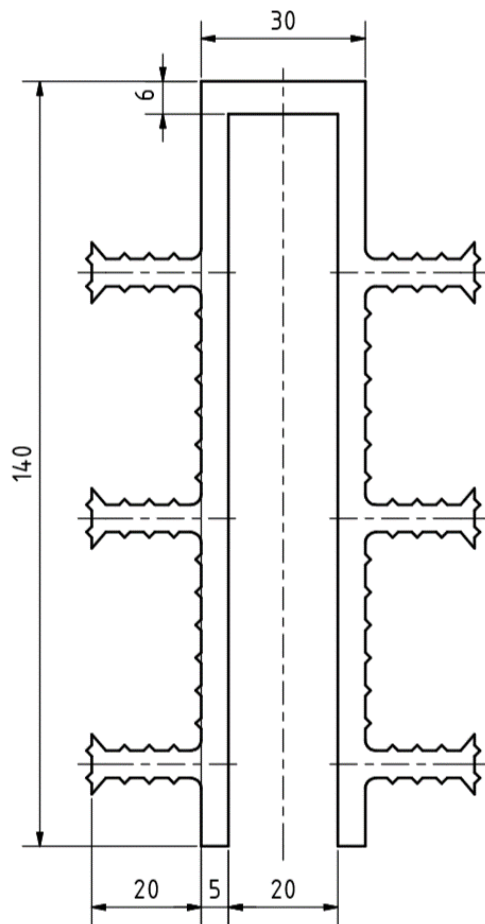


All dimensions in mm

Data sheet - series FV - WN



FV 130/30

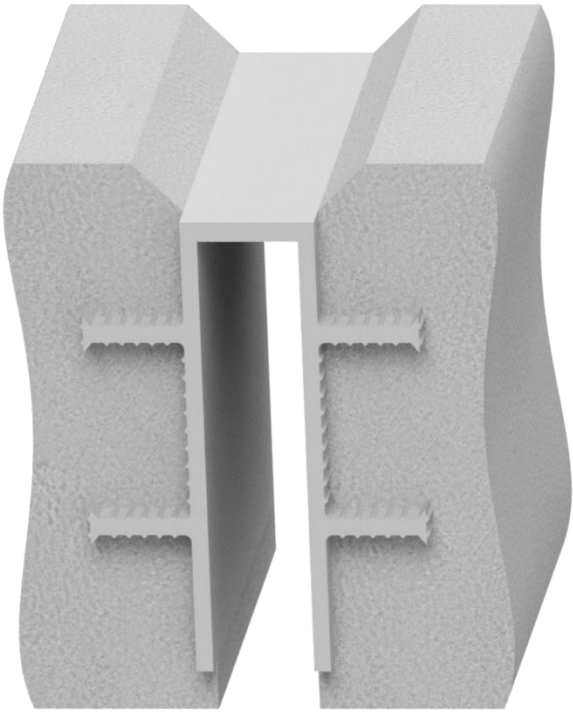
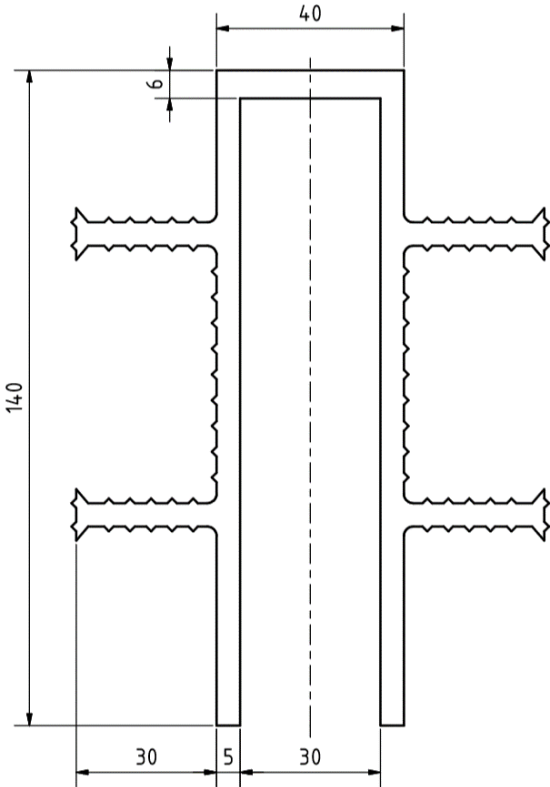


All dimensions in mm

Data sheet - series FV - WN



FV 140/40

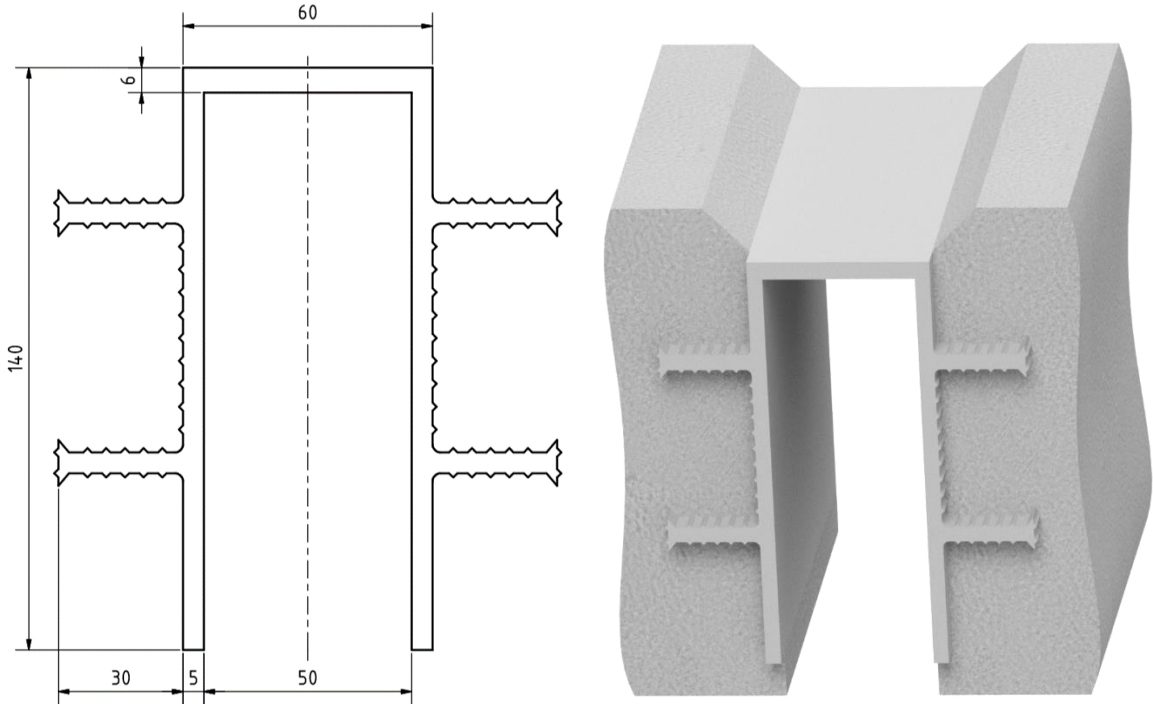


All dimensions in mm

Data sheet - series FV - WN



FV 140/60



All dimensions in mm